

## ZHSSFH-243 Series

Grade 11 Flush / Interleaf Hinge - **3 times faster to fit**



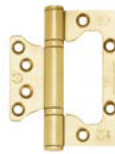
ZHSSFH-243S



ZHSSFH-243S



ZHSSFH-243S-P



ZHSSFH-243S-PVD



ZHSSFH-243S-MB



ZHSSFH-243S-PVDSB



ZHSSFH-243S-PVDBZ



ZHSSFH-243S-ETB



ZHSSFH-243S-PCW



ZHSSFH-243S-TRG

## TECHNICAL SPECIFICATION

### PRODUCT FEATURES

- **Dimensions:** 100 x 79 x 3mm
- **Material:** Stainless Steel
- Requires no morticing into door or frame
- No intumescent needed for use on fire rated doors
- **Performance Testing:** Successfully tested in accordance with the requirements of BS EN1935: 2002, Grade 11

3	7	4	1*	1	4	0	11
---	---	---	----	---	---	---	----

### FIRE TESTING

- Successfully fire tested in accordance with the requirements of BS EN 1634-1, suitable for use on 30-minute timber fire doors

### CERTIFICATION

- UKCA Marked (Certificate AC7989)
- CE Marked (Certificate AC7991)



1121-CPR-UK-AD7989

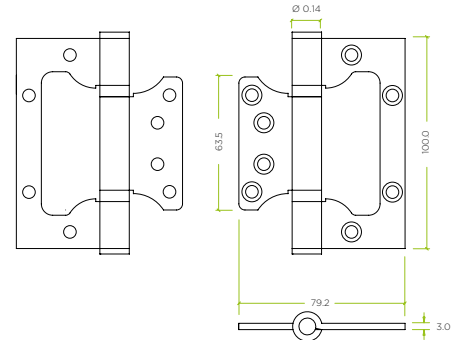


2812-CPR-AD7991

### CORNER OPTIONS

- Square

### TECHNICAL



CODE	DESCRIPTION	FINISH
ZHSSFH-243S	Flush / Interleaf Hinge Pair - CE/UKCA - Grade 11	Satin Stainless
ZHSSFH-243S-P	Flush / Interleaf Hinge Pair - CE/UKCA - Grade 11	Polished Stainless
ZHSSFH-243S-PVD	Flush / Interleaf Hinge Pair - CE/UKCA - Grade 11	Polished Brass PVD
ZHSSFH-243S-MB	Flush / Interleaf Hinge Pair - CE/UKCA - Grade 11	Matt Black
ZHSSFH-243S-PVDSB	Flush / Interleaf Hinge Pair - CE/UKCA - Grade 11	PVD Satin Brass
ZHSSFH-243S-PVDBZ	Flush / Interleaf Hinge Pair - CE/UKCA - Grade 11	PVD Bronze
ZHSSFH-243S-ETB	Flush / Interleaf Hinge Pair - CE/UKCA - Grade 11	Etna Bronze
ZHSSFH-243S-PCW	Flush / Interleaf Hinge Pair - CE/UKCA - Grade 11	Powder Coated White
ZHSSFH-243S-TRG	Flush / Interleaf Hinge Pair - CE/UKCA - Grade 11	Tuscan Rose Gold